



STRETCH WRAPPER  
MODEL: CSA 211/212

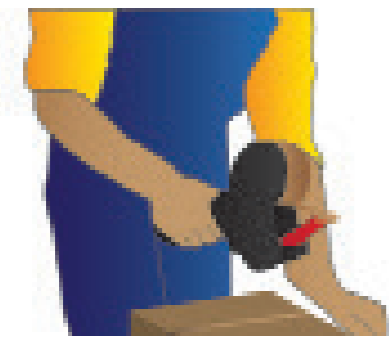
# CSA 211/212 Advance Smart Technology

Compact, high performance rotating arm machine for wrapping pallets with stretch film. Reliable, robust construction.

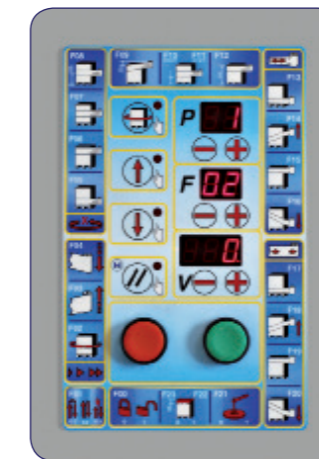
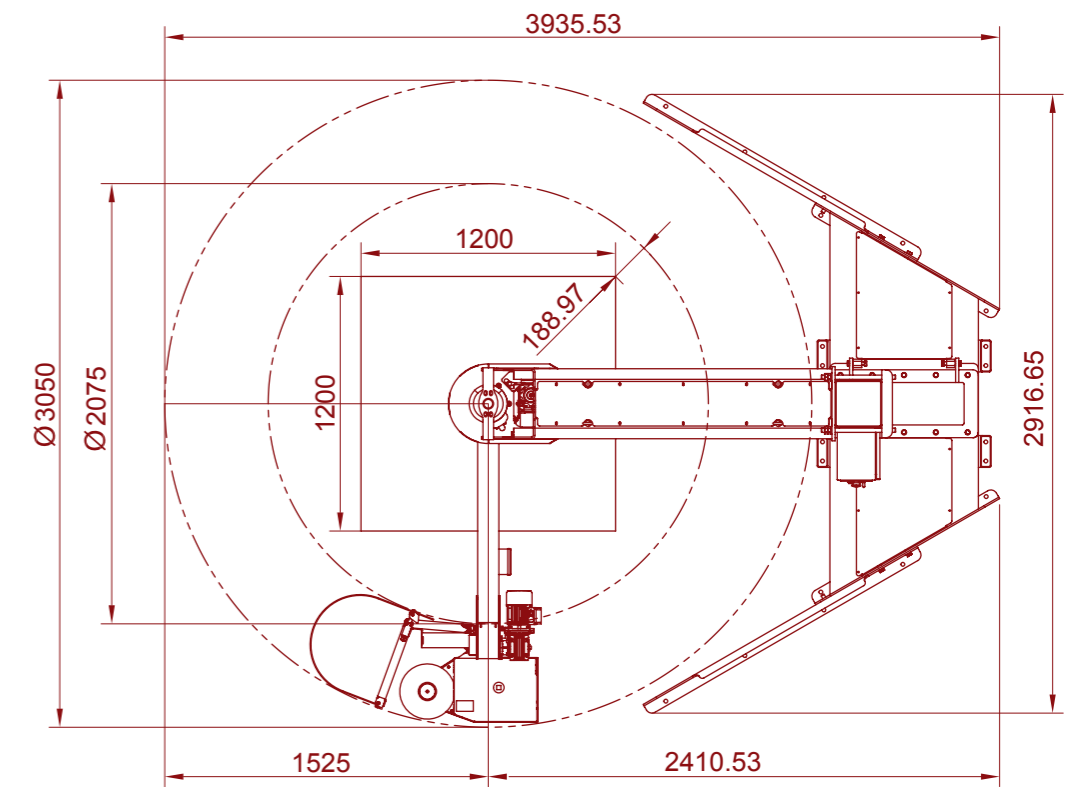
- Optionals
- Acid protection.
  - Mast for loads up to 3000 mm high.
  - Film weight check.
  - Pallet holder presser.
  - Wall fastening.
  - Roping system.

## Technical Characteristics

Total power installed	min. 1.2 Kw - max. 2.2 Kw
Standard power supply	230V mono-phase-50/60Hz-6A
Protection on electric system & motors	IP 54
Operating pressure (with top pressure)	6 bar
Max pallet dimensions	1000 x 1200 mm
Max pallet height	2100 mm
Production capacity per h	Up to 20



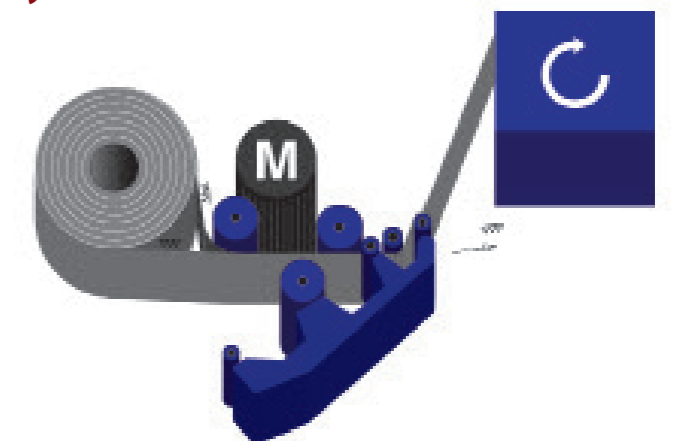
Version 211: Electromagnetic friction adjustable from control panel.



Control panel 99 programs easy-to-use.

## Save your Money

Version 212: Motorized pre-stretch system with 3 driven rollers electronically controlled with interchangeable ratios: 150 - 200 - 250%.



WWW.CYKLOP.NL  
+31 384675800

CYKLOP Nederland BV  
Benjamin Franklinstraat 5  
8013 NC Zwolle  
info@cyklop.nl

