

# GF 112 MVB

LUMBER PRESS

**CYKLOP**<sup>®</sup>  
GLOBAL PACKAGING SOLUTIONS

STRAPPING  
WRAPPING  
CODING  
TAPING

# GF 112 MVB

The Goliat lumber press is a very robust packaging machine for load stabilization of lumber packages and is available in two versions, 8 or 12 tons which indicates the exerted force on the side and upper press jaws.

The package is compressed into a square or rectangular cross-section and the boards lie compactly against each other. When the package is under pressure, the strapping is normally done with polyester straps of either 16 or 19 mm width. The polyester strap is somewhat elastic and follows the movement of the package. This creates well-packaged lumber packages that can be stacked high and withstand the stresses of transport.

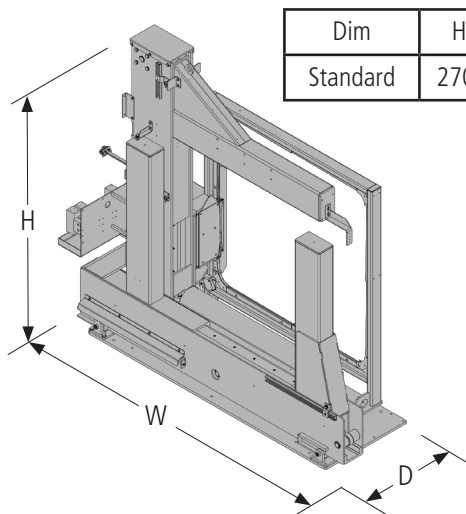
## Advantages

Friction welding, interval tightening of the strap, floating suspension of strapping unit, short cycle time, high maximum press force (adjustable). Well-proven construction with few wearing parts that need to be replaced.

## Options

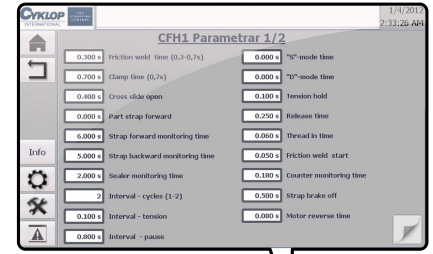
Top runner applicator, bottom runner applicator, edge protection devices, extra strapping unit for increased performance, strap positioning programs, dispenser for jumbo polyester strap rolls.

Technical specifications		GF 112 MVB 8t	GF 112 MVB 12t
Machine	Press force	1-80 kN	1-120 kN
	Strapping head	Cyklop CFH-1 V94Q	
	Dispenser	KA-6 200	
	Cycle time	≈12 s	≈13 s
	Transport height	495 mm	
	Conveyor speed	N/A	
Connections	Electrical supply	400V, 50 Hz, 3PH+N+PE	
	Load	8,5 kW	
	Pneumatic supply	6 bar, approx 1 NL/cycle	
	Hydraulic supply	160 bar, 60 l/min	
Package	Width (min-max)	460-1200 mm	460-1200 mm
	Height (min-max)	300-1200 mm	300-1200 mm

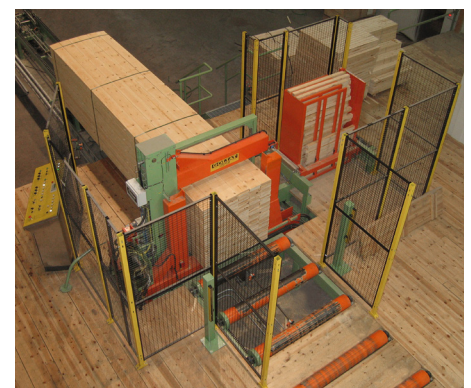


Dim	Height	Width	Depth	Weight
Standard	2700 mm	3300 mm	900 mm	≈2500 kg

# LUMBER PRESS



All parameters and settings can be changed on the easy-to-use touch screen.



Cyklop AB  
Fågelviksvägen 9a  
145 53 Norsborg

08 503 053 00  
www.cyklop.se  
info@cyklop.se

